

131-1

This drawing, without description or specification represents a proprietary product of TELEX, Lincoln, Neb., and shall not be revised, disclosed, used nor duplicated without the written permission of TELEX.

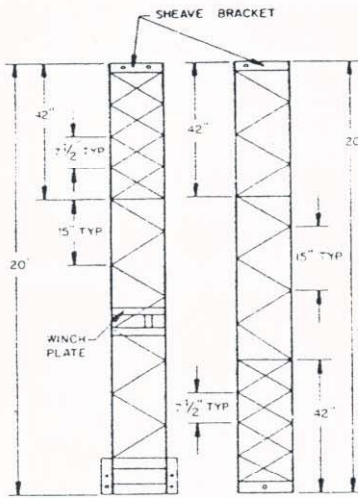
SECTION - 4

SECTION - 5

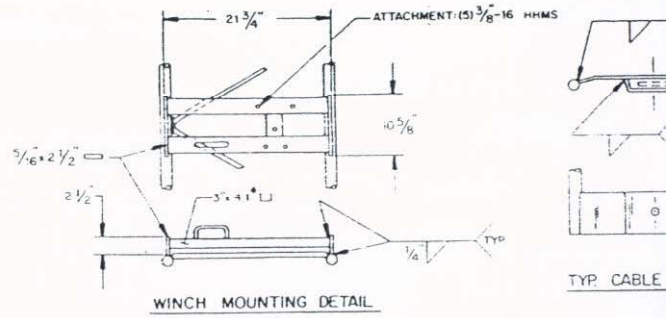
SECTION - 6

SECTION - 7

TOWER ELEVATION

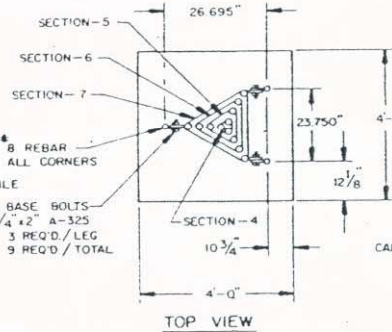
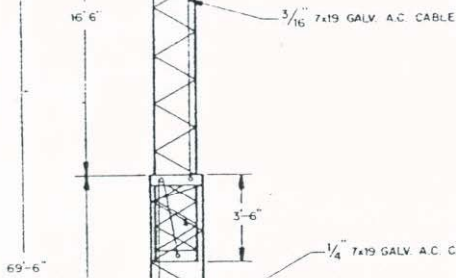


SECT 7 SECT 4,5 & 6
BRACE CONFIGURATION

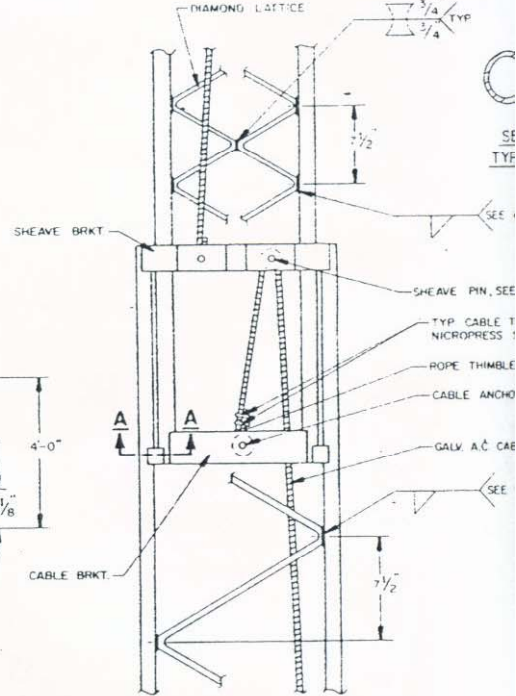


WINCH MOUNTING DETAIL

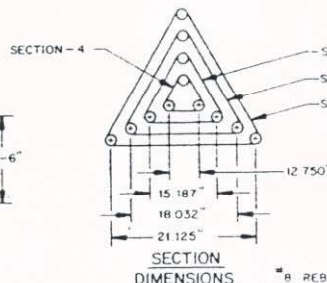
TYP. CABLE



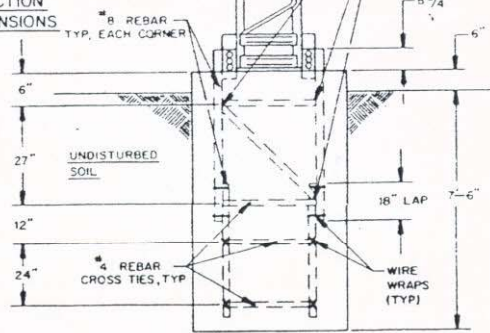
TOP VIEW



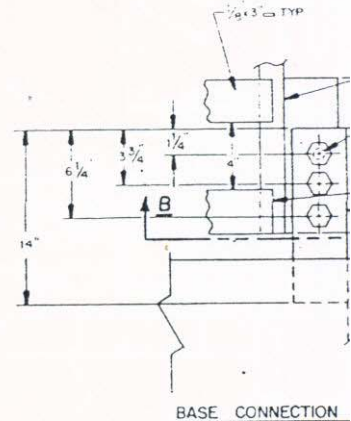
TYP SECTION LAP



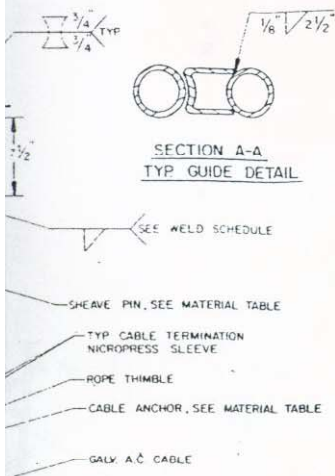
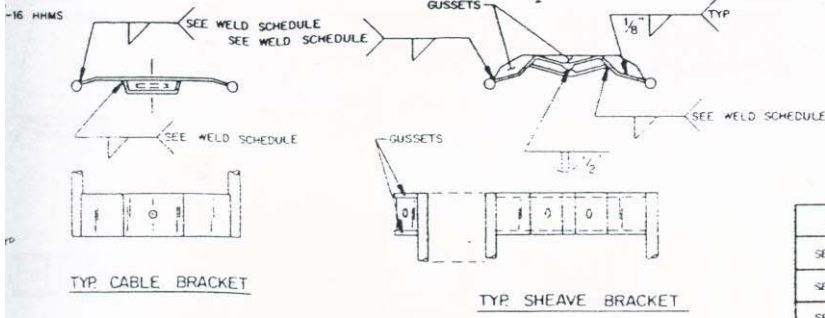
SECTION DIMENSIONS



ELEVATION VIEW FOUNDATION DETAIL



BASE CONNECTION



CHG. NO.	LTR.	REVISIONS DESCRIPTION	DATE	APPD.
05-81	A	CORRECT NOTE 3, D12.1 REMOVED	14 JUNE 90	[Signature]

WELD SCHEDULE

ASSEMBLY	LATTICE TO LEG	END BRACES AND BRACKET TO LEG	BASE EARS TO LEG	FOUNDATION EARS TO BAR
SECTION - 4	3/16" x 1"	1/8" x 3"	---	---
SECTION - 5	3/16" x 1"	1/8" x 3"	---	---
SECTION - 6	3/16" x 1 1/4"	1/8" x 3"	---	---
SECTION - 7	3/16" x 1 1/4"	1/8" x 3"	---	---
FOUNDATION FRAME	---	---	1/4" x 10" 1/4" x 10"	1/4" x 14" 1/4" x 14"

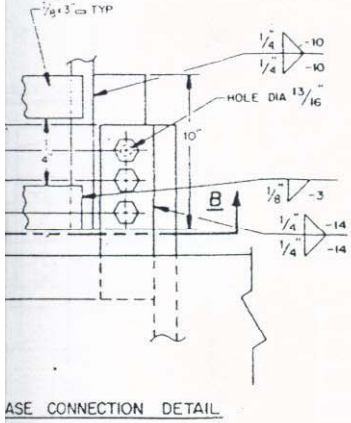
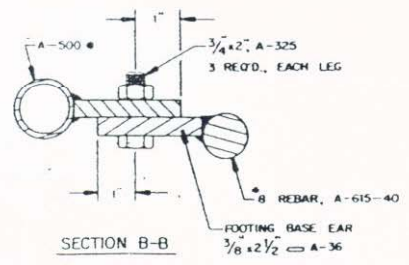
MATERIAL TABLE

ITEM	SPECIFICATION	SECTION - 4	SECTION - 5	SECTION - 6	SECTION - 7
SECTION - LEGS	ASTM A-500 *	1" O.D. x .095" WALL	1.25" O.D. x .120" WALL	1.50" O.D. x .134" WALL	1.50" O.D. x .217" WALL
DIAGONAL BRACING	ASTM A-36	5/16" DIA	3/8" DIA	1/2" DIA	1/2" DIA
END BRACING / BRACKET	ASTM A-570-36	1/8" x 3"	1/8" x 3"	1/8" x 3" / 3/16" x 3"	1/8" x 3" / 3/16" x 3"
BASE EARS - TOWER	ASTM A-36	---	---	---	3/8" x 2 1/2"
BASE EARS - FOUNDATION	ASTM A-36	---	---	---	3/8" x 2 1/2"
REINFORCEMENT - FOUNDATION	ASTM A-615-40	---	---	---	*B
ATTACHMENT BOLTS - FOUND.	ASTM A-325 HOT DIP GALV.	---	---	---	3/4" UNC x 2", 9 REQ'D.
RAISING CABLES	AIRCRAFT QUAL 7x19 GALV.	3/16" DIA, 4,200 LB. BR STR	1/4" DIA, 7,000 LB. BR STR	1/4" DIA, 7,000 LB. BR STR	---
CABLE HARDWARE	10B CRS PIN / HHMS ANCHOR	3/8" x 16	3/8" DIA / 1/2"-13	1/2" DIA / 1/2"-13	1/2" DIA / 1/2"-13
WINCH	2,500 LB. MIN. RATED LOAD, AUTOMATIC LOCKING BRAKE, 15.8:1 GEAR PLATE, 10:1 MECHANICAL ADVANTAGE.				

* 45,000 MIN. YIELD.

NOTES:

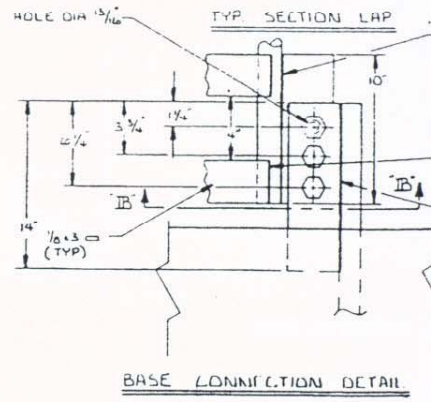
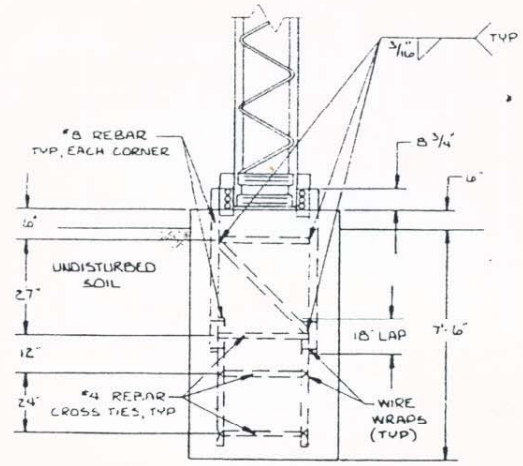
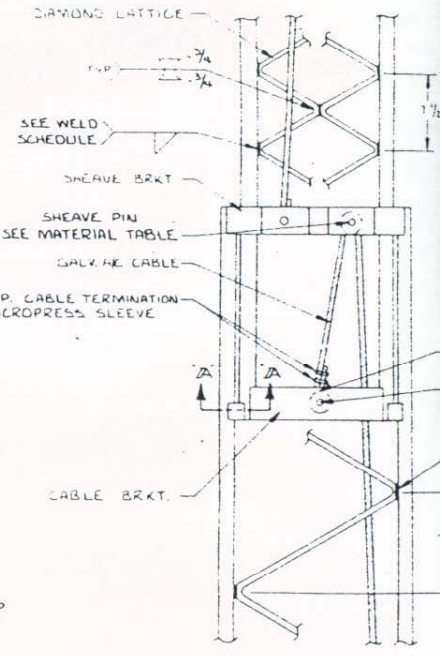
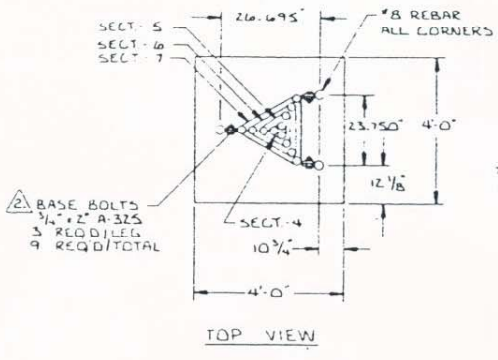
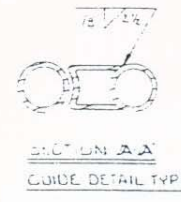
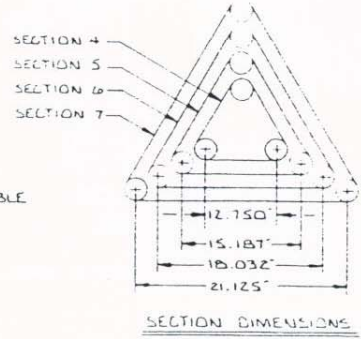
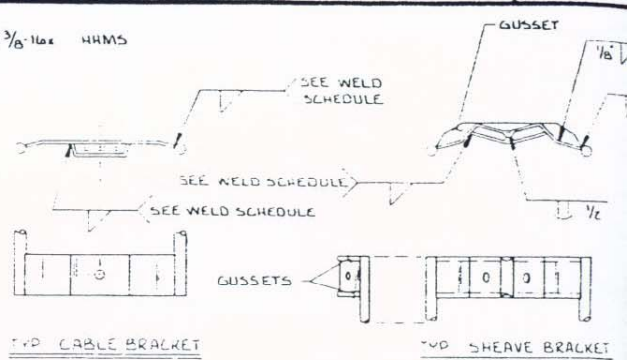
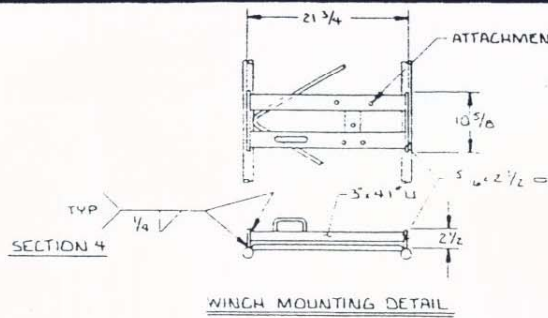
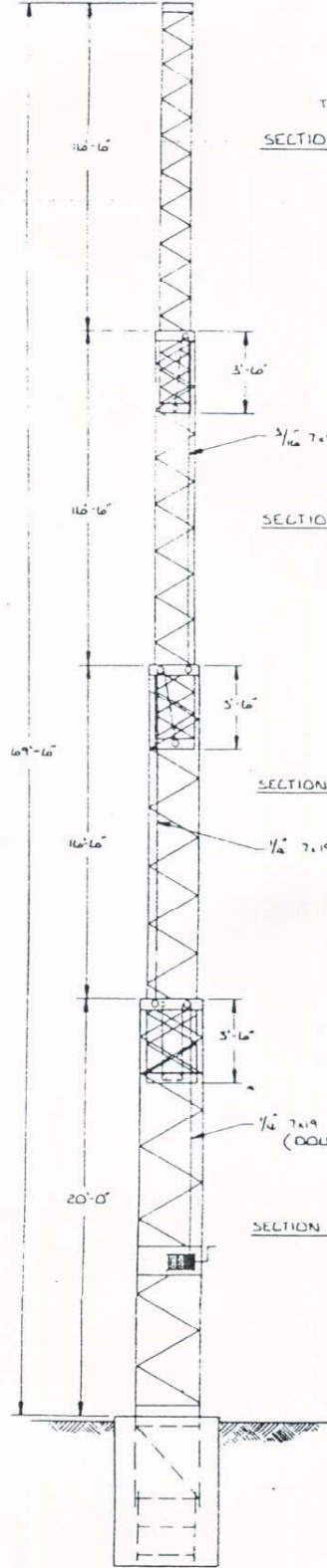
- GENERAL - A. TOWER DESIGNED IN ACCORDANCE WITH UBC.
B. TOWER MANUFACTURED BY TELEX/HY-GAIN.
- MATERIALS - ALL MATERIALS SHALL BE STRUCTURAL GRADE STEEL, CERTIFIED FOR CONFORMANCE TO THE SPECIFICATIONS AND REQUIREMENTS AS LISTED IN THE MATERIALS TABLE AND AS NOTED IN THE DETAIL NOTES OF THIS DRAWING.
- WELDING - ALL TOWER WELDS SHALL BE IN ACCORDANCE WITH THE AWS D11 WELDING CODES AND SHALL BE PERFORMED BY WELDERS CERTIFIED IN ACCORDANCE WITH THE PROVISIONS AND REQUIREMENTS OF THE AWS.
ELECTRODE SPECIFICATIONS ARE:
A. TOWER STRUCTURE WELDS - E70-53 OR EQUIVALENT
B. FOOTING REINFORCEMENT STRUCTURE WELDS - E7018 OR EQUIVALENT.
- FOUNDATION - FOUNDATION CONSISTS OF SINGLE REINFORCED CONCRETE FOOTING. THE DESIGN HEREIN SPECIFIED IS FOR SOILS WITH A MINIMUM 200 PSF/FT LATERAL BEARING PRESSURE. INSTALLATIONS IN SOILS OF LESSER CAPACITY, OR LOOSE OR SOFT CHARACTERISTICS WILL REQUIRE ALTERNATE DESIGNS SPECIFIC FOR THE SITE CONDITIONS.
A. CONCRETE QUANTITY - 4.8 YD³
B. MIX LESS THAN 7.25 GAL. OF WATER PER SACK, MINIMUM 5.5 SACKS PER YD³
C. STRENGTH - 2,000 PSI, MINIMUM 28 DAYS.
FOOTING STEEL REINFORCEMENT SHALL BE AS SPECIFIED IN THE FOOTING DETAIL AND SHALL BE POSITIONED AS SHOWN IN THE DETAIL. EARTH EXCAVATION FOR THE FOOTING SHALL BE ACCOMPLISHED SO AS TO LEAVE SOILS IMMEDIATELY ADJACENT TO THE FOOTING UNDISTURBED.
- FINISH - THE TOWER SHALL BE HOT DIP GALVANIZED PER ASTM A-123 AFTER FABRICATION.

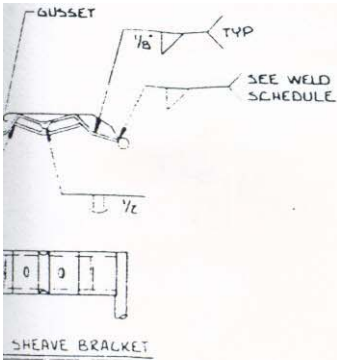


HG-7011D

QTY.	DESCRIPTION	ITEM	PART NO.	SPECIFICATION
	TOLERANCES UNLESS OTHERWISE SPECIFIED	DATE	15 MARCH 83	TELEX hy-gain <small>TELEX COMMUNICATIONS, INC. 10001 N. CENTRAL AVE. WICHITA, KANSAS 67207 U.S.A.</small>
	FRACTION	DR BY	BEK	
	DECIMAL	CHK BY	MD 3.17.83	
	ANGLE	APPD.	HTS 3-17-83	
		PROD.	HTP 2-17-83	
NEXT ASSY.	USED ON	MATL.	CONTRACT	TITLE PRODUCT 131-1 TOWER INSTALLATION & SPECS. FOR UBC
APPLICATION				SIZE D 57010
				DWG. NO. 131-1
				SCALE ~ SHEET 1 OF 1

21-2
 Any written description or specification representing a proprietary product of TELEX, Lincoln, Healy, and shall not be released, disclosed, used nor duplicated without the written permission of TELEX.





REVISIONS			
CHG. NO.	LTR.	DESCRIPTION	DATE
		ADDED NOTES REQ'D FOR L.A. STANDARD PLAN	29 NOV 82

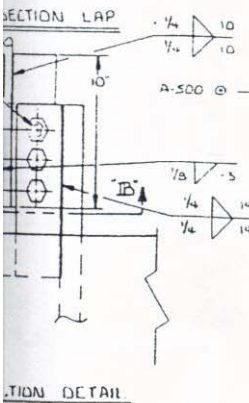
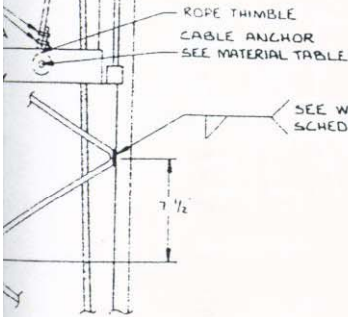
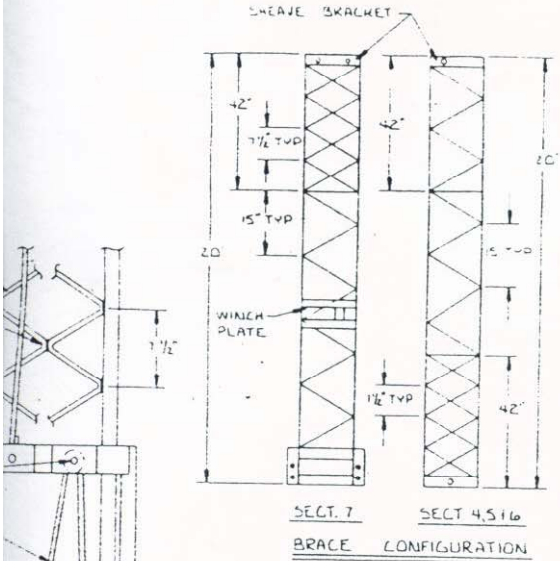
ITEM	SPECIFICATIONS	SECTION-4	SECTION-5	SECTION-6	SECTION-7
SECTION LEGS	ASTM A-500 X	1" OD x .075 WALL	1.25" OD x .120 WALL	1.5" OD x .134 WALL	1.5" OD x .137 WALL
DIAGONAL BRACING	ASTM A-36	5/16" DIA	3/8" DIA	1/2" DIA	1/2" DIA
END BRACING/BRACKET	ASTM A-570-56	1/8" x 3"	1/8" x 3"	1/8" x 3" / 3/16" x 3"	1/8" x 3" / 3/16" x 3"
BASE EARS - TOWER	ASTM A-36				
BASE EARS - FOUNDATION	ASTM A-36				3/8" x 2 1/2"
REINFORCEMENT - FOUND.	ASTM A-615-40				#8
ATTACHMENT BOLTS-FOUND	ASTM A-325 HOT DIP GALV				1/4" UNC x 2.9 REQ'D
RAISING CABLES	AIRCRAFT QUAL. 7419 GALV	3/4" DIA, 3000 LB. BR STR	1/2" DIA, 1000 LB BR STR	1/4" DIA, 7000 LB BR STR	
CABLE HARDWARE	1018 CRS PIN/WMS ANCHOR	3/8"-16	3/8" DIA / 1/2"-13	1/2" DIA / 1/2"-13	1/2" DIA / 1/2"-13
WINCH	2500 LB MIN RATED LOAD, AUTOMATIC LOCKING BRAKE, 15:1 GEAR PLATE, 10:1 MECH. ADVANTAGE.				

X - 45,000 MIN YIELD

MATERIAL TABLE

ASSEMBLY	LATTICE TO LEG	END BRACES/ BRKTS TO LEG	BASE EARS TO LEG	FOUNDATION EARS TO BAR
SECT. 4	3/16" / -1"	1/8" / -3"		
SECT. 5	3/16" / -1"	1/8" / -3"		
SECT. 6	1/2" / -1 1/4"	1/8" / -3"		
SECT. 7	3/16" / -1 1/4"	1/8" / -3"		
FOUNDATION FRAME			1/4" / 10"	1/4" / 14"

WELD SCHEDULE



1. GENERAL - A. TOWER DESIGNED IN ACCORDANCE WITH LABEL. B. TOWER MANUFACTURED BY TELEX/HYGAIN, LOS ANGELES APPROVED FABRICATOR, LICENSE NO 1095.
2. MATERIALS - ALL MATERIALS SHALL BE STRUCTURAL GRADE STEEL, CERTIFIED FOR CONFORMANCE TO THE SPECIFICATIONS AND REQUIREMENTS AS LISTED IN THE MATERIALS TABLE AND AS NOTED IN THE DETAIL NOTES OF THIS DRAWING. FOUNDATION BASE BOLTS SHALL BE A-325 AND TIGHTENED & INSPECTED BY LICENSED DEPUTY STEEL INSPECTOR APPROVED BY CITY OF L.A.
3. WELDING - ALL TOWER WELDS SHALL BE IN ACCORDANCE WITH THE AWS D11.1 D12.1 WELDING CODES AND LOS ANGELES ZGA 3-77, AND SHALL BE PERFORMED IN THE LICENSED FABRICATOR'S SHOP (LICENSE 1095) BY WELDERS CERTIFIED IN ACCORDANCE WITH THE PROVISIONS AND REQUIREMENTS OF THIS LICENSE. ELECTRODE SPECIFICATIONS ARE: A. TOWER STRUCTURE WELDS - E70-53 OR EQUIVALENT. B. FOOTING REINFORCEMENT STRUCTURE WELDS - E7018, OR EQUIVALENT.
4. FOUNDATION - FOUNDATION CONSISTS OF SINGLE REINFORCED CONCRETE FOOTING. THE DESIGN HEREIN SPECIFIED IS FOR THE FOLLOWING COMPACT SOILS: GRAVEL SILTY OR CLAYEY GRAVEL, WELL GRADED SAND, LEAN CLAY. INSTALLATIONS IN SOILS OF LESSER CAPACITY, OR LOOSE OR SOFT CHARACTERISTICS WILL REQUIRE ALTERNATE DESIGNS SPECIFIC FOR THE SITE CONDITIONS. A. CONCRETE QUANTITY - 4 B YD³ B. MIX LESS THAN 7.25 GAL. OF WATER PER SACK. MIN 55 SACKS PER YD³ C. STRENGTH - 2000 PSI, MINIMUM 28 DAYS. FOOTING STEEL REINFORCEMENT SHALL BE AS SPECIFIED IN THE FOOTING DETAIL AND SHALL BE POSITIONED AS SHOWN IN THE DETAIL. EARTH EXCAVATION FOR THE FOOTING SHALL BE ACCOMPLISHED SO AS TO LEAVE SOIL IMMEDIATELY ADJACENT TO THE FOOTING UNDISTURBED.
5. FINISH - THE TOWER SHALL BE HOT DIP GALVANIZED PER ASTM A-123 AFTER FABRICATION.
6. L.A. STANDARD PLAN - A. L.A. CITY STANDARD PLAN NO. MISC 3415 B. STANDARD PLAN APPROVAL IS FOR STRUCTURAL ONLY. FIRE DEPT., ZONING, PUBLIC WORKS & BUILDING AND SAFETY APPROVAL MAY BE NECESSARY PRIOR TO ISSUANCE OF A BUILDING PERMIT. C. LOCATION OF TOWER MUST COMPLY WITH ALL L.A. CITY ZONING ORDINANCES.



HG-7014 D - CA

QTY.	DESCRIPTION	ITEM	PART NO.	SPECIFICATION
	TOLERANCES UNLESS OTHERWISE SPECIFIED	DATE	18 JUNE 82	
	FRACTION	DR BY	BEK	
	DECIMAL	CHK BY		
	ANGLE	APPD.	PAC 8/1/82	
	MATL.	PROD.		
NEXT ASSY.	USED ON	CONTRACT	SIZE	CODE IDENT
APPLICATION			D	57010
			DWG. NO.	131-2
			SCALE	SHEET 1 OF 1

TELEX hygain
TELEX COMMUNICATIONS, INC.
Lincoln, Nebraska, U.S.A.
TITLE: PROD. 131-2 TOWER INSTALLATION & SPECS. FOR LOS ANGELES BUILDING CODE