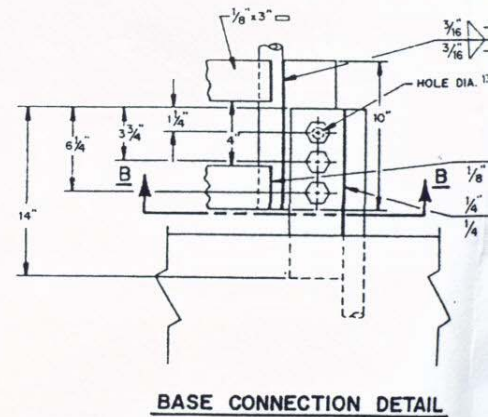
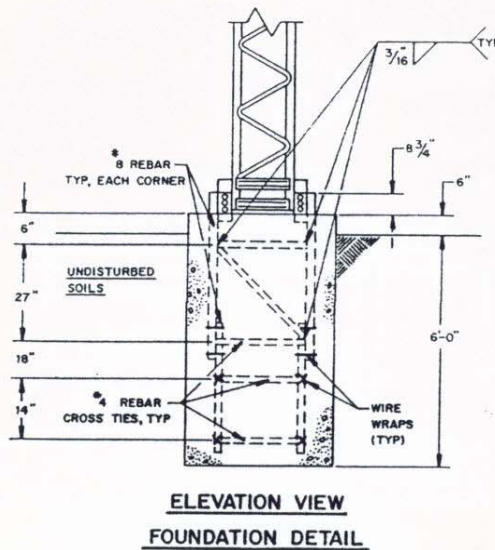
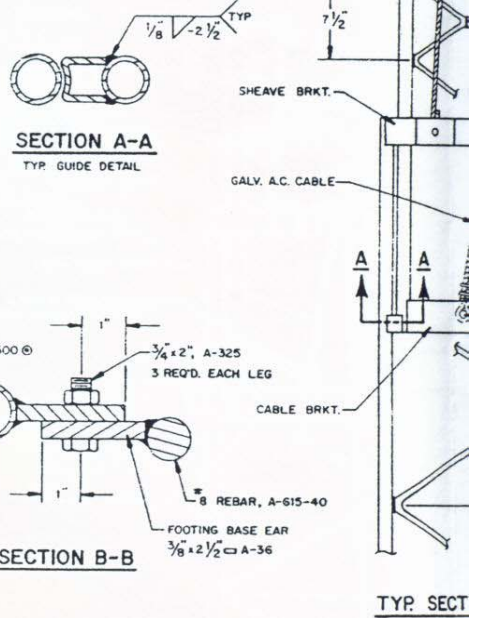
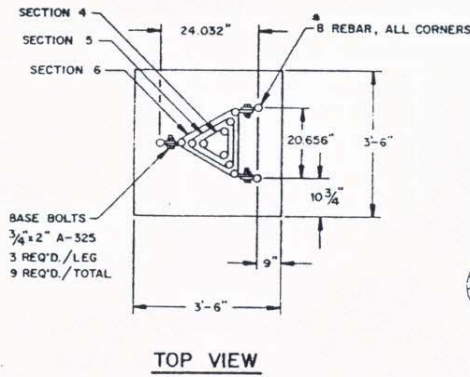
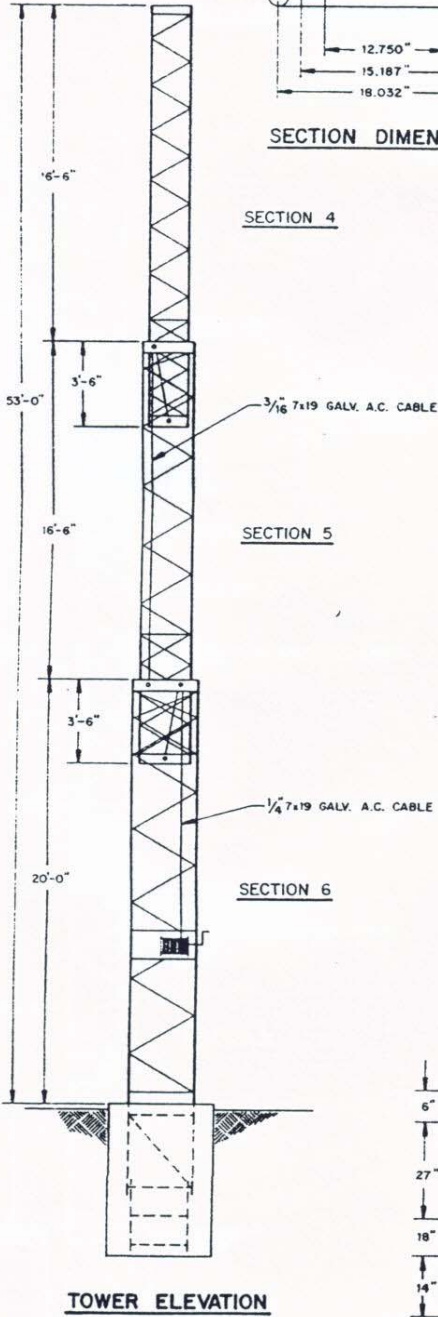
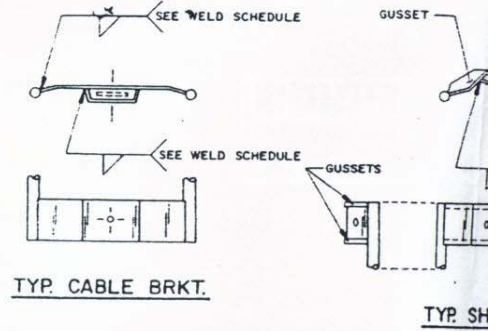
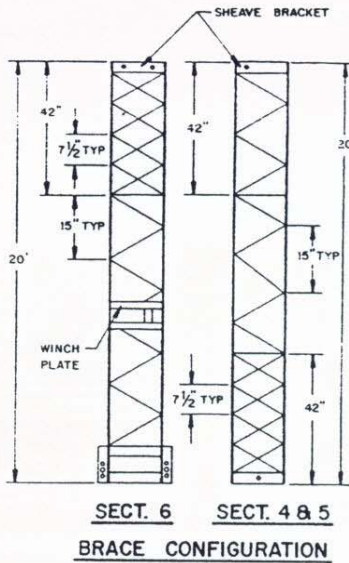
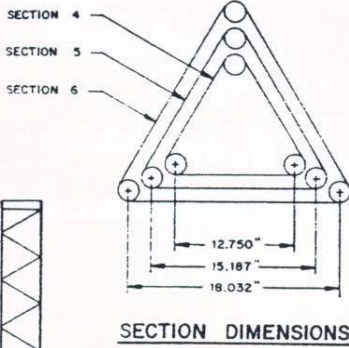
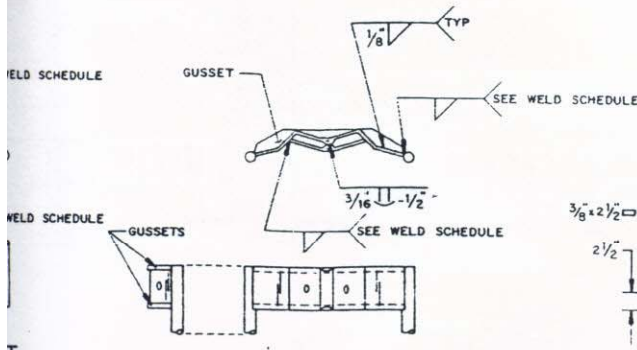


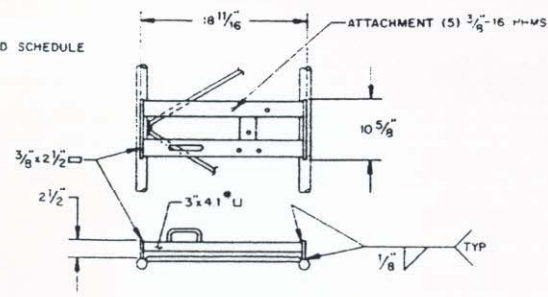
This drawing, without description or specification represents a preliminary product of TELEX, Lincoln, Mass., and shall not be released, illustrated, used nor duplicated without the written permission of TELEX.



CHG. NO.	LTR.	REVISIONS DESCRIPTION	DATE	APPD.
----------	------	-----------------------	------	-------

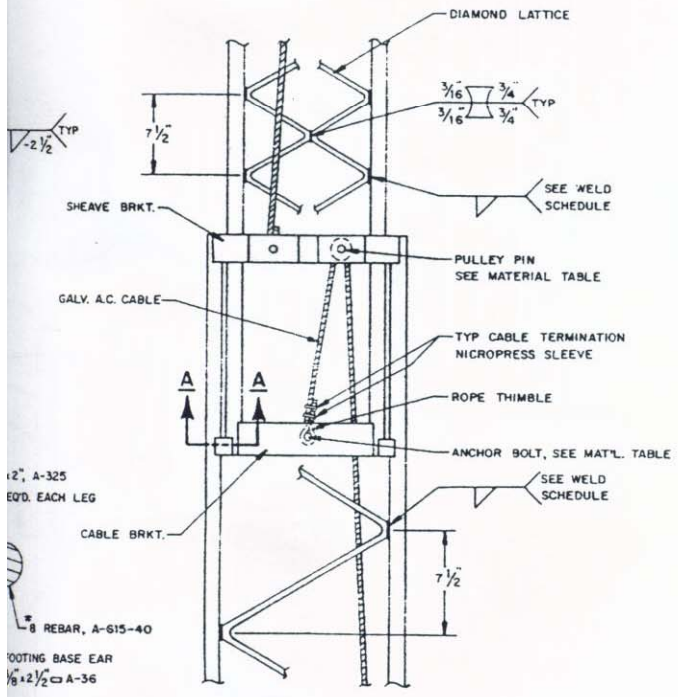


TYP. SHEAVE BRKT.

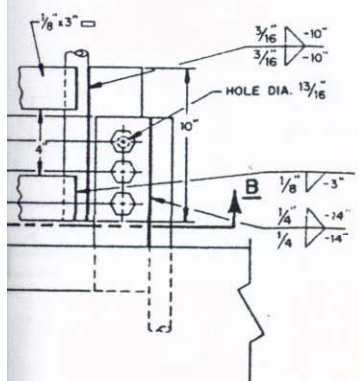


WINCH MOUNTING DETAIL

WELD SCHEDULE		
ASSEMBLY	LATTICE TO LEG	END BRACES/BRKT. TO LEG
SECT. 4	3/16 √ -1"	1/8 √ -3"
SECT. 5	3/16 √ -1"	1/8 √ -3"
SECT. 6	3/16 √ -1 1/4"	1/8 √ -3"



TYP. SECTION LAP



BASE CONNECTION DETAIL

MATERIAL TABLE				
ITEM	SPECIFICATIONS	SECTION 4	SECTION 5	SECTION 6
SECTION LEGS	ASTM A-500	1" O.D. x .095" WALL	1 1/4" O.D. x .120" WALL	1 1/2" O.D. x .134" WALL
DIAGONAL BRACING	ASTM A-36	5/16" DIA.	3/8" DIA.	1/2" DIA.
END BRACING/BRKT.	ASTM A-570-36	1/8" x 3" BOTH	1/8" x 3" BOTH	1/8" x 3" / 3/16" x 3"
BASE EARS-TOWER	ASTM A-36			3/8" x 2 1/2"
BASE EARS-FOUND.	ASTM A-36			3/8" x 2 1/2"
FOUND. REINFORCEMENT	ASTM A-615-40			8 REBAR, SEE DETAIL
ATTACH. BOLTS-FDM.	ASTM A-325			3/4" x 2" A-325 (9 REQ'D)
RAISING CABLES	A.C. 7x19 GALV.	3/16" DIA. 4,200 lb. BR. STR.	1/4" DIA. 7,000 lb. BR. STR.	
CABLE HARDWARE	108 CR8 PULLEY PIN 110 CR8 ANCHOR	3/8" x 16	3/8" DIA. 1/2"-13	1/2" DIA. 1/2"-13
WINCH	2,500 lb. MIN. RATE LOAD, AUTO LOCKING BRAKE, 15.8:1 RATIO, 10:1 MECHANICAL ADVANTAGE			

\* CERTIFICATION TO 45,000 PSI YIELD.

NOTES:

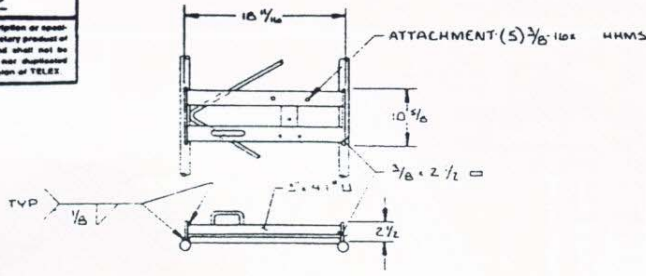
- GENERAL - A. TOWER DESIGNED IN ACCORDANCE WITH UBC.  
B. TOWER MANUFACTURED BY TELEX/HY-GAIN.
- MATERIALS - ALL MATERIALS SHALL BE STRUCTURAL GRADE STEEL, CERTIFIED FOR CONFORMANCE TO THE SPECIFICATIONS AND REQUIREMENTS AS LISTED IN THE MATERIALS TABLE AND AS NOTED IN THE DETAIL NOTES OF THIS DRAWING.
- WELDING - ALL TOWER WELDS SHALL BE IN ACCORDANCE WITH THE AWS D1.1 & D12.1 WELDING CODES AND SHALL BE PERFORMED BY WELDERS CERTIFIED IN ACCORDANCE WITH THE PROVISIONS AND REQUIREMENTS OF THE AWS. ELECTRODE SPECIFICATIONS ARE:  
A. TOWER STRUCTURE WELDS - E70-S3 OR EQUIVALENT.  
B. FOOTING REINFORCEMENT STRUCTURE WELDS - E7018 OR EQUIVALENT.
- FOUNDATION - FOUNDATION CONSISTS OF SINGLE REINFORCED CONCRETE FOOTING. THE DESIGN HEREIN SPECIFIED IS FOR SOILS WITH A MINIMUM 200 PSF/FT LATERAL BEARING PRESSURE. INSTALLATIONS IN SOILS OF LESSER CAPACITY, OR LOOSE OR SOFT CHARACTERISTICS WILL REQUIRE ALTERNATE DESIGNS SPECIFIC FOR THE SITE CONDITIONS.  
A. CONCRETE QUANTITY - 3 YD<sup>3</sup>  
B. MIX LESS THAN 7.0 GAL. OF WATER PER SACK. MINIMUM 5.5 SACKS PER YD<sup>3</sup>  
C. STRENGTH - 2,500 PSI, MINIMUM 28 DAYS  
FOOTING STEEL REINFORCEMENT SHALL BE AS SPECIFIED IN THE FOOTING DETAIL AND SHALL BE POSITIONED AS SHOWN IN THE DETAIL. EARTH EXCAVATION FOR THE FOOTING SHALL BE ACCOMPLISHED SO AS TO LEAVE SOILS IMMEDIATELY ADJACENT TO THE FOOTING UNDISTURBED.
- FINISH - THE TOWER SHALL BE HOT DIP GALVANIZED PER ASTM A-123 AFTER FABRICATION.

Blue P/W  
HG-541-D 871152

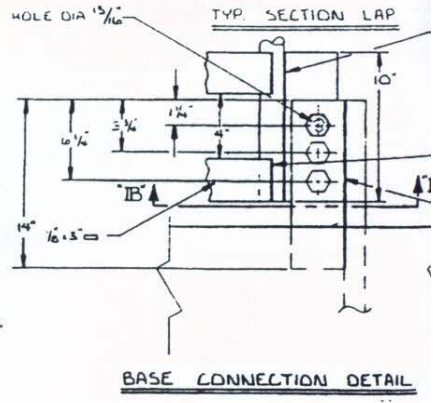
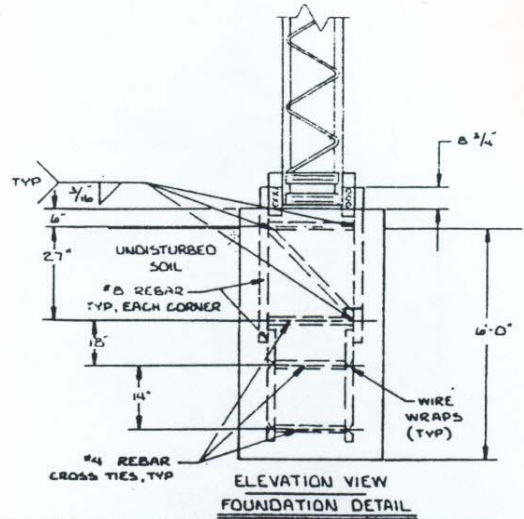
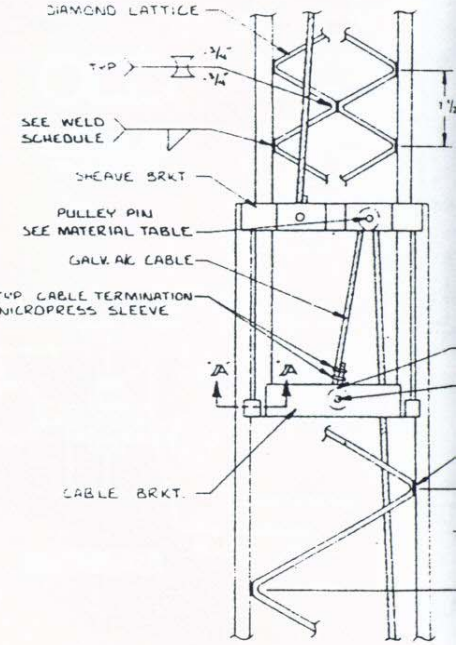
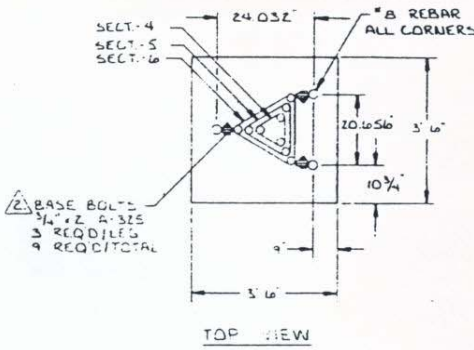
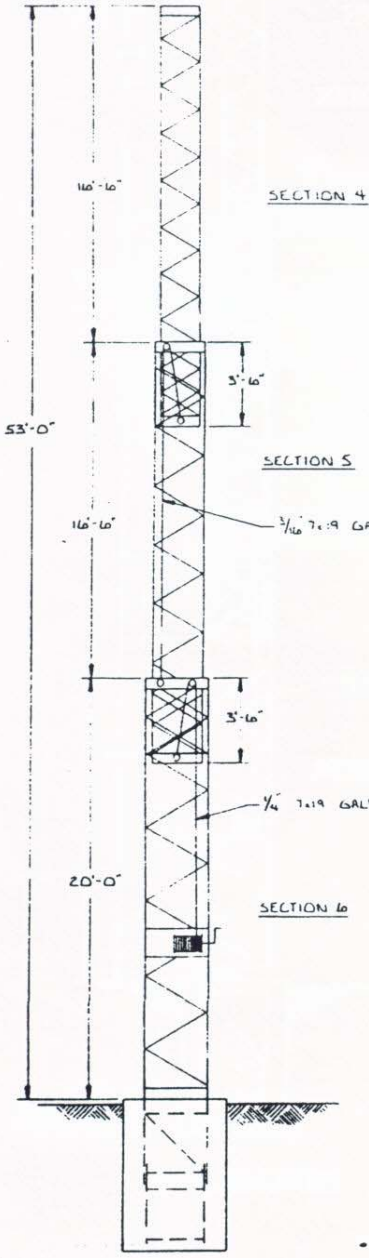
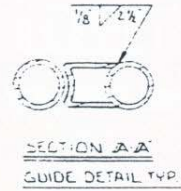
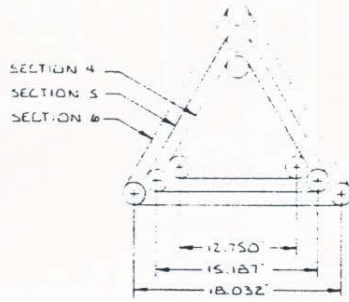
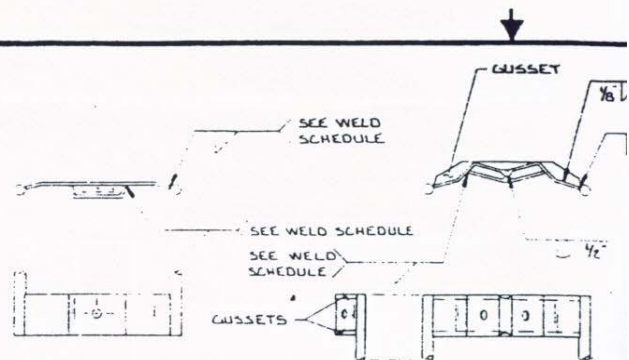
QTY.	DESCRIPTION	ITEM	PART NO.	SPECIFICATION
	TOLERANCES UNLESS OTHERWISE SPECIFIED	DATE 31 MAR 83	<b>TELEX hy-gain</b> <small>TELEX COMMUNICATIONS, INC.            LITTLE ROCK, ARK. U.S.A.</small> TITLE PRODUCT 130-1, TOWER INSTALLATION AND SPECIFICATIONS FOR UBC	
	FRACTION	DR BY BEK		
	DECIMAL	CHK BY LLD 8-24-83		
	ANGLE	APPD. TJS 4-8-85		
	MATL.	PROD. APP 4-8-85		
130-1	NEXT ASSY. USED ON	CONTRACT	SIZE D	CODE IDENT 57010
APPLICATION			DWG. NO. 130-1	SHEET



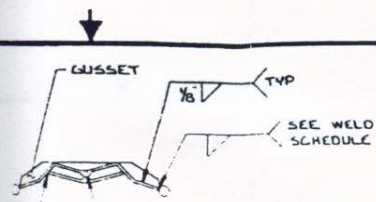
This drawing, without description or specification represents a proprietary product of TELEX, Lincoln, Neb., and shall not be reprinted, photostated, used for duplication without the written permission of TELEX.



WINCH MOUNTING DETAIL

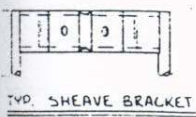




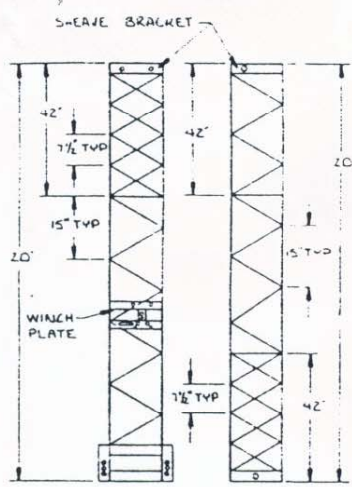


REVISIONS				
CHG. NO.	LTR.	DESCRIPTION	DATE	APPD.
		ADDED NOTES REQ'D. FOR L.A. CITY STANDARD PLAN.	29 NOV 82	JK

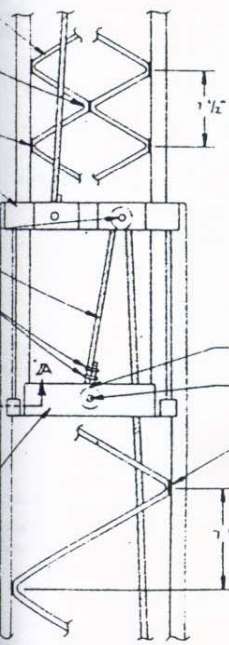
ASSY.	LATTICE TO LEG	END BRACES/BRACKETS TO LEG
SECT 4	3/16" x 1"	1/8" x 3"
SECT 5	3/16" x 1"	1/8" x 3"
SECT 6	3/16" x 1 1/4"	1/8" x 3"



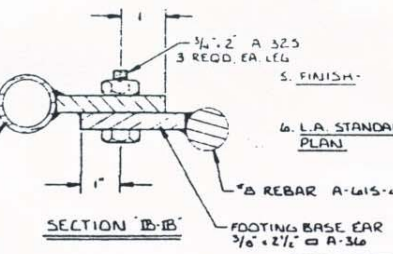
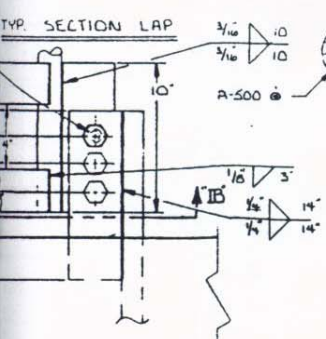
WELD SCHEDULE



ITEM	SPECIFICATIONS	SECTION #4	SECTION #5	SECTION #6
SECTION LEGS	ASTM A-500 X	1" O.D. x 3.95" W	1 1/4" O.D. x 3.20" W	1.50" O.D. x 3.34" W
DIAG. AS 10 N6	ASTM A-36	3/16" DIA	3/8" DIA	1/2" DIA
END BRACING/BRACE EARS-TOWER	ASTM A-570-36	1/8" x 3" BOTH	1/8" x 3" BOTH	1/8" x 3" / 3/16" x 3"
BRACE EARS-FOUND.	ASTM A-36	---	---	3/16" x 2 1/2"
FOUND REINFORCEMENT	ASTM A-36	---	---	3/16" x 2 1/2"
ATTACH BOLTS-FOUND	ASTM A-325	---	---	3/4" x 2" A-325 (9 REQ'D)
RAISING CABLES	A/C 7.19 GALV	3/16" DIA 4/100th BR. ST	1/4" DIA 7/100th BR. STR	---
CABLE HARDWARE	1015 CRS PULLEY PIN 370. 10MM5 INCHES	3/8" x 3/16"	3/16" DIA / 1/2" x 1/3"	1/2" DIA 1/2" x 1/3"
WINCH	2500 LB. MIN. RATE LOAD. AUTO. LOCKING BRAKE, 15:1 RATIO, 10:1 MECH. ADVANT.	---	---	---



SECT. 6 SECT. 4 & 5  
BRACE CONFIGURATION



\* CERTIFICATION TO 45,000 PSI YIELD

MATERIAL TABLE

NOTES:

- GENERAL - A. TOWER DESIGNED IN ACCORDANCE WITH LABC.  
B. TOWER MANUFACTURED BY TELEX/HY-GAIN, LOS ANGELES APPROVED FABRICATOR, LICENSE #1095.
- MATERIALS - ALL MATERIALS SHALL BE STRUCTURAL GRADE STEEL, CERTIFIED FOR CONFORMANCE TO THE SPECIFICATIONS AND REQUIREMENTS AS LISTED IN THE MATERIALS TABLE AND AS NOTED IN THE DETAIL NOTES OF THIS DRAWING.  
FOUNDATION BASE BOLTS SHALL BE A-325, AND TIGHTENED & INSPECTED BY LICENSED DEPUTY STEEL INSPECTOR APPROVED BY CITY OF L.A.
- WELDING - ALL TOWER WELDS SHALL BE IN ACCORDANCE WITH THE AWS D11.102.1 WELDING CODES AND LOS ANGELES ZBA 3-77, AND SHALL BE PERFORMED IN THE LICENSED FABRICATOR'S SHOP (LICENSE 1095) BY WELDERS CERTIFIED IN ACCORDANCE WITH THE PROVISIONS AND REQUIREMENTS OF THIS LICENSE.  
ELECTRODE SPECIFICATIONS ARE:  
A. TOWER STRUCTURE WELDS - E70-S2 OR EQUIVALENT.  
B. FOOTING REINFORCEMENT STRUCTURE WELDS - E7015, OR EQUIVALENT.
- FOUNDATION - FOUNDATION CONSISTS OF SINGLE REINFORCED CONCRETE FOOTING. THE DESIGN HEREIN SPECIFIED IS FOR THE FOLLOWING COMPACT SOILS: GRAVEL, SILTY OR CLAYEY GRAVEL, WELL GRADED SAND, LEAN CLAY. INSTALLATIONS IN SOILS OF LESSER CAPACITY, OR LOOSE OR SOFT CHARACTERISTICS WILL REQUIRE ALTERNATE DESIGNS SPECIFIC FOR THE SITE CONDITIONS.  
A. CONCRETE QUANTITY - 3' x 10'  
B. MIX LESS THAN 7.0 GAL. OF WATER PER SACK, MINUS 5 SACKS PER YD.  
C. STRENGTH - 2,500 PSI, MINIMUM 28 DAYS.  
FOOTING STEEL REINFORCEMENT SHALL BE AS SPECIFIED IN THE FOOTING DETAIL AND SHALL BE POSITIONED AS SHOWN IN THE DETAIL. EARTH EXCAVATION FOR THE FOOTING SHALL BE ACCOMPLISHED SO AS TO LEAVE SOIL IMMEDIATELY ADJACENT TO THE FOOTING UNDISTURBED.
- FINISH - THE TOWER SHALL BE HOT DIP GALVANIZED PER ASTM A-123 AFTER FABRICATION.
- L.A. STANDARD PLAN - A. L.A. CITY STANDARD PLAN # MISC. #415  
B. STANDARD PLAN APPROVAL IS FOR STRUCTURAL ONLY, FIRE DEPT., ZONING PUBLIC WORKS & BUILDING AND SAFETY APPROVAL MAY BE NECESSARY PRIOR TO ISSUANCE OF A BUILDING PERMIT.  
C. LOCATION OF TOWER MUST COMPLY WITH ALL L.A. CITY ZONING ORDINANCES.



See P/W: HG-544D 871152

QTY.	DESCRIPTION	ITEM	PART NO.	SPECIFICATION
	TOLERANCES UNLESS OTHERWISE SPECIFIED	DATE 16 JUNE 82	<b>TELEX hy-gain</b> TELEX COMMUNICATIONS INC 10001 NEPTUNE BLVD TITLE PROD. 130-2 TOWER INSTALLATION & SPECS. FOR LOS ANGELES BUILDING CODE SIZE CODE IDENT DWG. NO. 130-2 SCALE ~ SHEET 1 OF 1	
	FRACTION ---	DR BY BEK		
	DECIMAL ---	CHK BY		
	ANGLE ---	APPD. The 4/18/82		
	MATL. ---	PROD.		
NEXT ASSY. USED ON	130-2	CONTRACT ---		
APPLICATION				